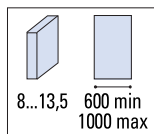


# MINIMAL QUADRO RUOTA SOFT-CLOSE



**V-6550**



**COMPONENTS / COMPONENTES / COMPOSANTS ▶ 96**

**V-6550**

**V-6552**

(ruota quadra-square cover)

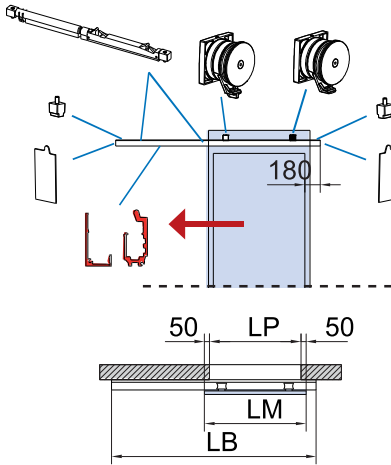

**V-6552-T**

(ruota tonda-round cover)


**V-012-EVO**
**V-6550 SET 1**  
**(Ruota quadra - Square cover)**

€▶A.351

- Set per 1 anta scorrevole, fissaggio a parete
- Sliding door set, wall installation
- Schiebetürset für 1 flg, Wandmontage



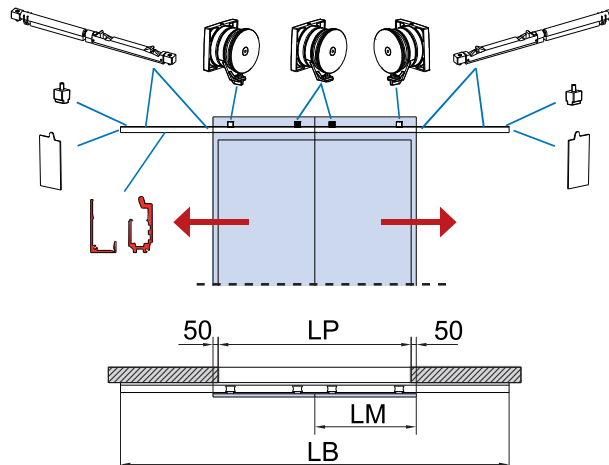
$$LB = LP \times 2 + (50 \times 2) + 300$$

$$LM = LP + 100$$

**V-6550 SET 2**  
**(Ruota quadra - Square cover)**

€▶A.352

- Set per 2 ante scorrevoli, fissaggio a parete
- Sliding doors set, wall installation
- Schiebetürset für 2 flg, Wandmontage



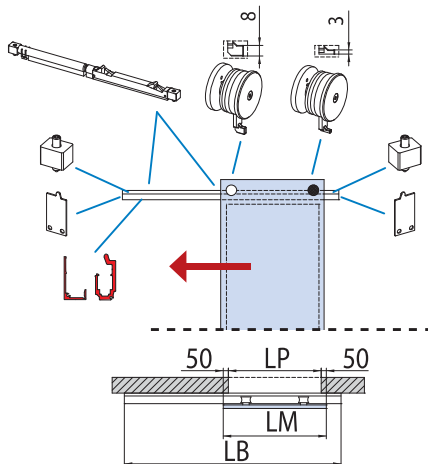
$$LB = LP \times 2 + (50 \times 2) + 250$$

$$LM = (LP + 100) / 2$$

**V-6550-T SET 1**  
**(Ruota tonda - Round cover)**

€▶A.353

- Set per 1 anta scorrevole, fissaggio a parete
- Sliding door set, wall installation
- Schiebetürset für 1 flg, Wandmontage



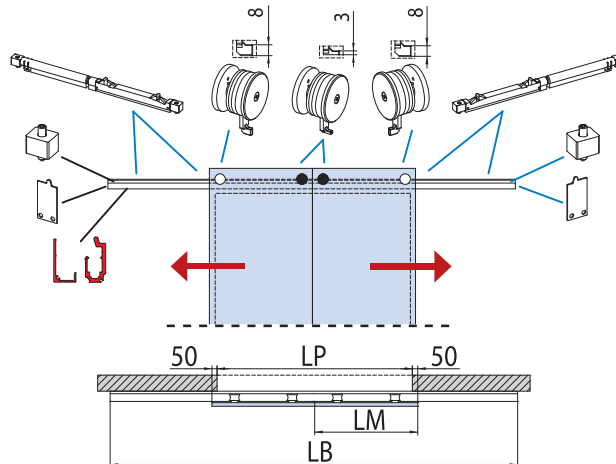
$$LB = LP \times 2 + (50 \times 2) + 300$$

$$LM = LP + 100$$

**V-6550-T SET 2**  
**(Ruota tonda - Round cover)**

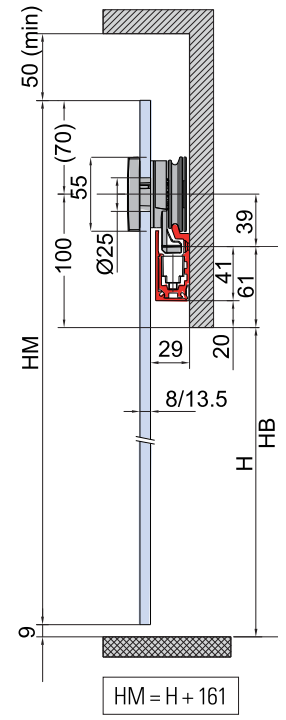
€▶A.354

- Set per 2 ante scorrevoli, fissaggio a parete
- Sliding doors set, wall installation
- Schiebetürset für 2 flg, Wandmontage

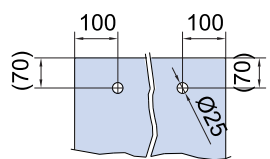


$$LB = LP \times 2 + (50 \times 2) + 250$$

$$LM = (LP + 100) / 2$$



TECHNICAL

 LAVORAZIONE VETRO  
 GLASS PREPARATION  
 GLASBEARBEITUNG


xme547a

Cod.	Fin. / Fin. Oberf.	V-6550 SET 1 FIX	V-6550-T SET 1 FIX	V-6550 SET 1-MIS	V-6550-T SET 1-MIS	V-6550 SET 2 FIX	V-6550-T SET 2 FIX	V-6550 SET 2-MIS	V-6550-T SET 2-MIS
<b>V-6550</b> L=2000 L=3000 L=4000 L=6000	AN / IXE / CR	1	1	-	-	1	1	-	-
<b>V-6550-MIS</b> L=1500 → 6000	AN / IXE / CR	-	-	1	1	-	-	1	1
<b>V-6552</b> Ruota quadra / Square wheel / Eckiges Rad	AN / IXE / CR	1	-	1	-	2	-	2	-
<b>V-6552-T</b> Ruota tonda / Round wheel / Rundes Rad	AN / IXE / CR	-	1	-	1	-	2	-	2
<b>V-012-EVO</b>	AN / NS / CR	1	1	1	1	2	2	2	2